



since 1996

**DAZHENG
COFFEE GROUP**

T&Z • KT3-1 Semi-automatic Coffee Machine



sales@coffeedazheng.com



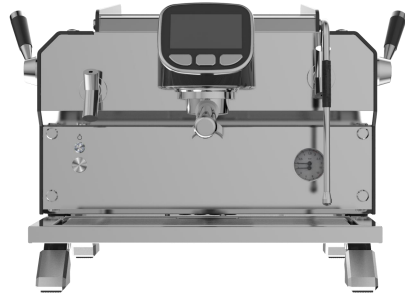
+86 18011762132



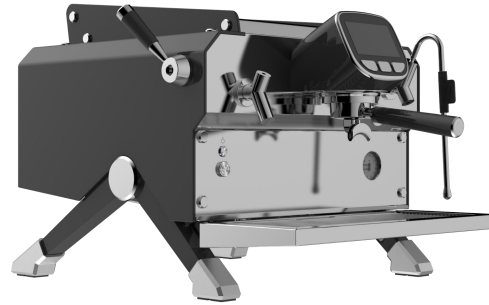
www.coffeedazheng.com

T&Z[®]

Front view



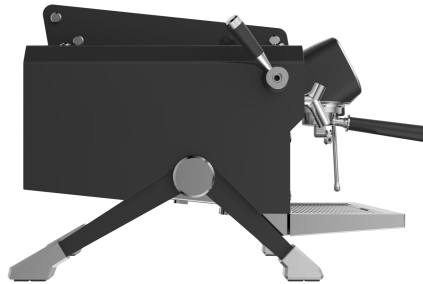
Left 45° angle of view



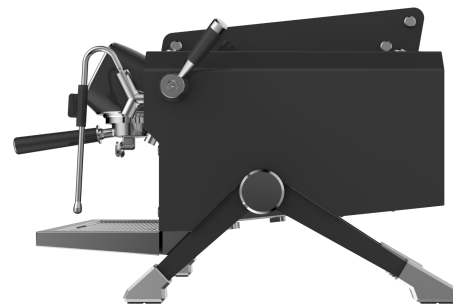
Right 45° angle of view



Left view



Right elevation

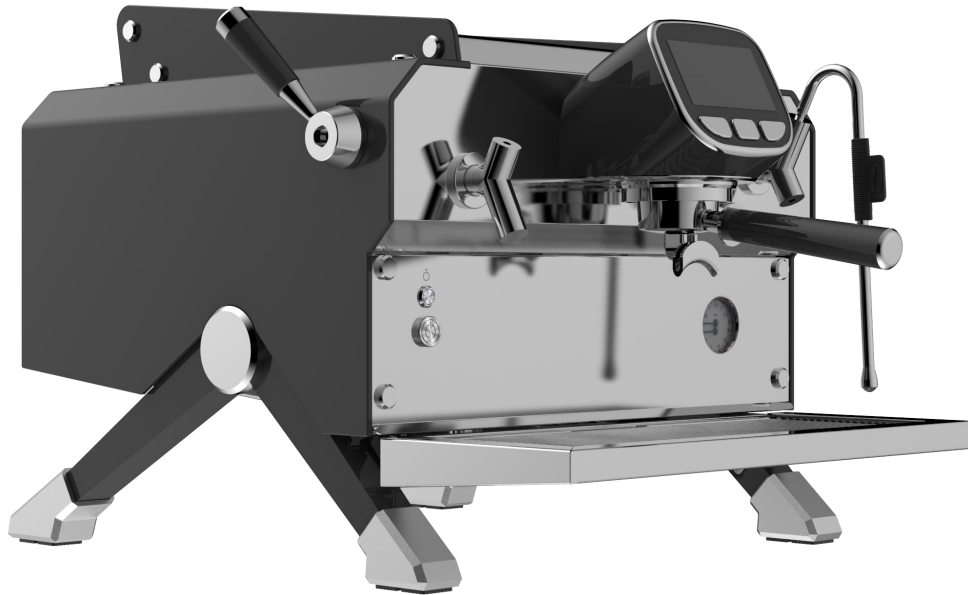


Rear view



Product View

Product Parameters

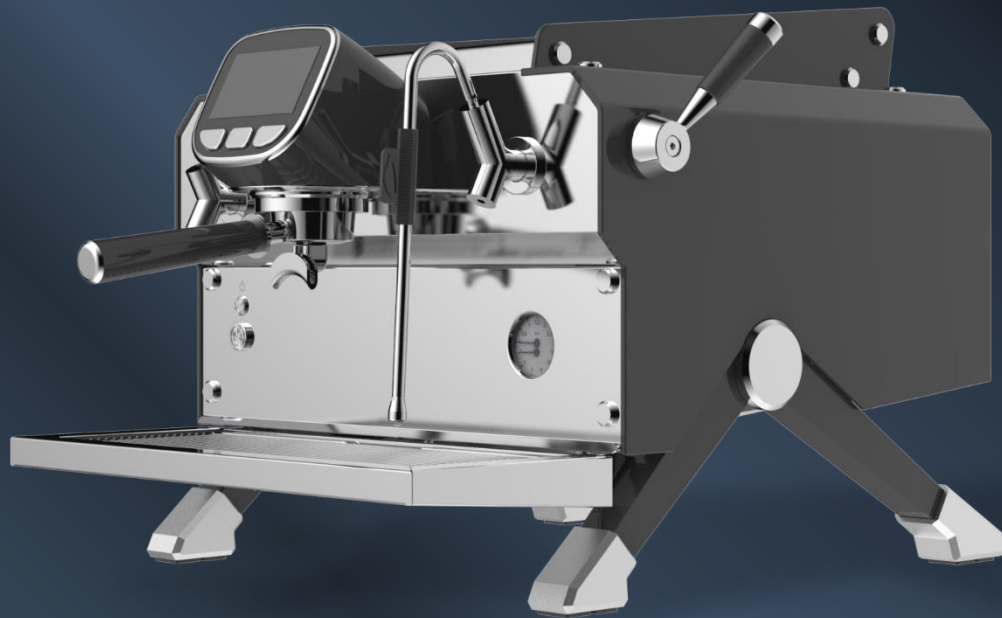


Model	Color	Size
KT3-1	Black/ White	(length×depth×height) 681×500×680mm
Voltage/Frequency	Maximum Power	Steam Boiler Capacity
220V/50~60Hz	3500W	6.6L
Steam Boiler Material	Coffee Boiler Capacity	Coffee Boiler Material
Copper	1L	Copper
Cup Amount	Screen Size	Number of keys
120/hour	5.0 inches	3
Certification		
CCC/CE/CB/CQC		

CASTING CLASSIC ENJOYING FUTURE

Multi-boiler T3 heating system | 5.0-inch dual smart touch screen | SOE coffee professional extraction.

T&Z Commercial Espresso Coffee Machine



PROFESSIONAL CONFIGURATION PROFESSIONAL EXTRACTION

Quality Choice Commercial Guaranteed



Multi-boiler T3
Heating System



Adjustable
Pre-infusion Time



Microcomputer
Control System



Professional
Rotary Pump



Side steam pull
rod design



Copper boiler
material

8.8

Real-time Display
of Coffee Extraction



5.0-inch
Touch Screen



High Precision
Dual Pressure Gauge

T&Z[®]

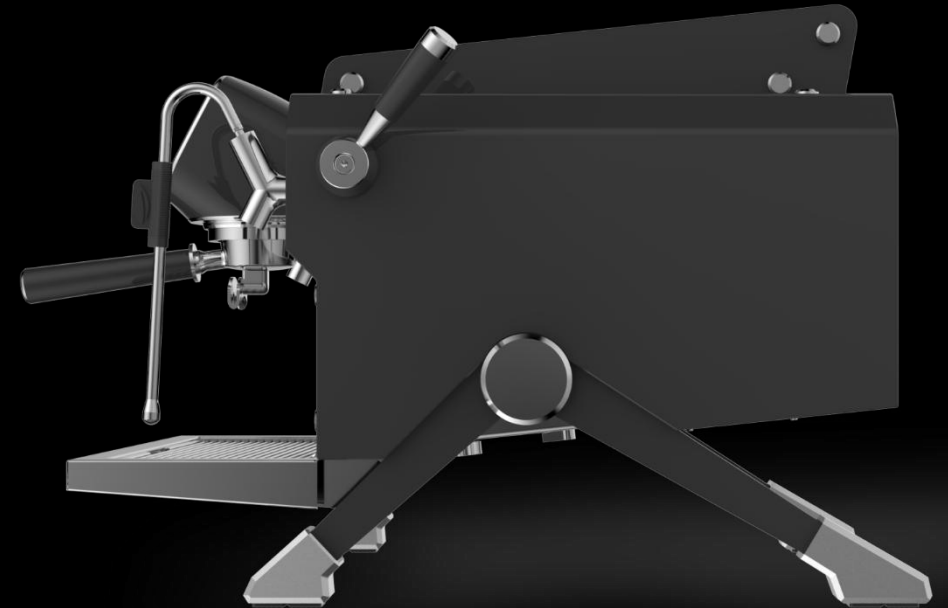
Multi-boiler T3 Heating System

6.6L steam boiler + 1L coffee boiler + brewing head
heating module

- The temperature is stable within **±1°C** during continuous extraction
- The temperature is expected to produce **120 cups/hour**.

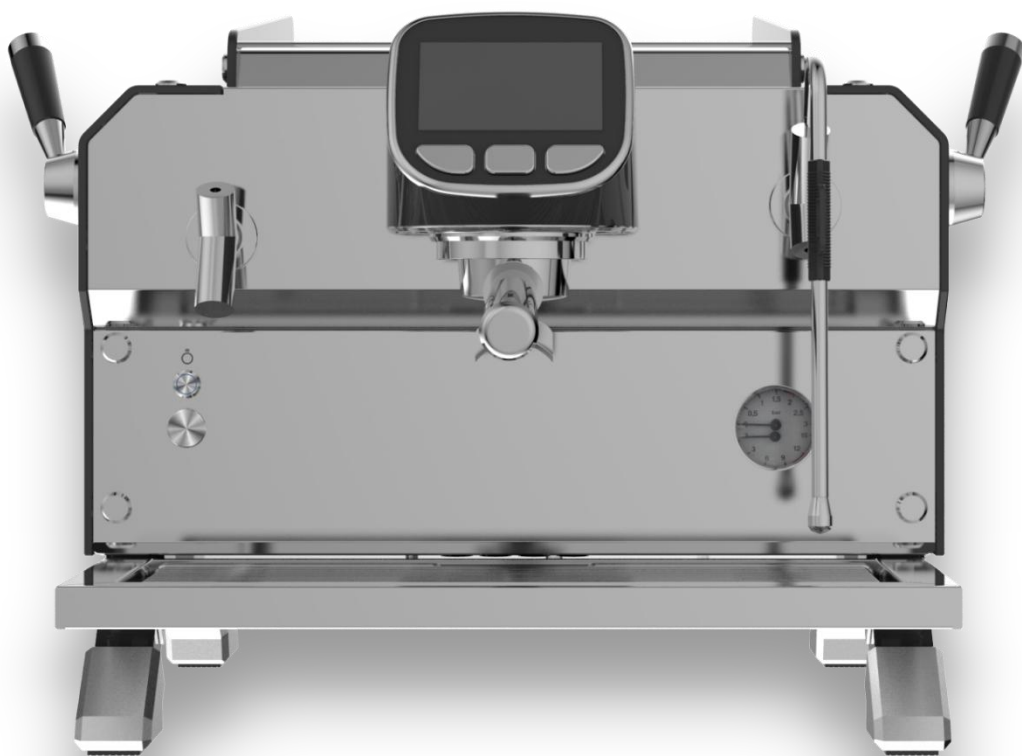
Multi-boiler T3 Heating System

Professional extraction for more
Mellow of coffee



Pre-Infusion System

Fuller and richer extraction



- Pre-infusion system
- Fully saturates the coffee puck for a more stable extraction temperature



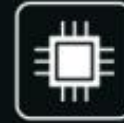
T&Z[®]

PID Temperature Control System

- Real-time extraction temperature and water level
- Multiple protection functions such as temperature control protection, high temperature protection, and high pressure protection

INTELLIGENT MICROCOMPUTER MONITORING WITH MULTIPLE SECURITY FEATURES

ELECTRONIC TEMPERATURE CONTROL PROTECTION, MECHANICAL HIGH TEMPERATURE PROTECTION, MECHANICAL HIGH PRESSURE PROTECTION, WATER LEVEL MONITORING AND OTHER MULTIPLE PROTECTION FUNCTIONS



MICRO CONTROL



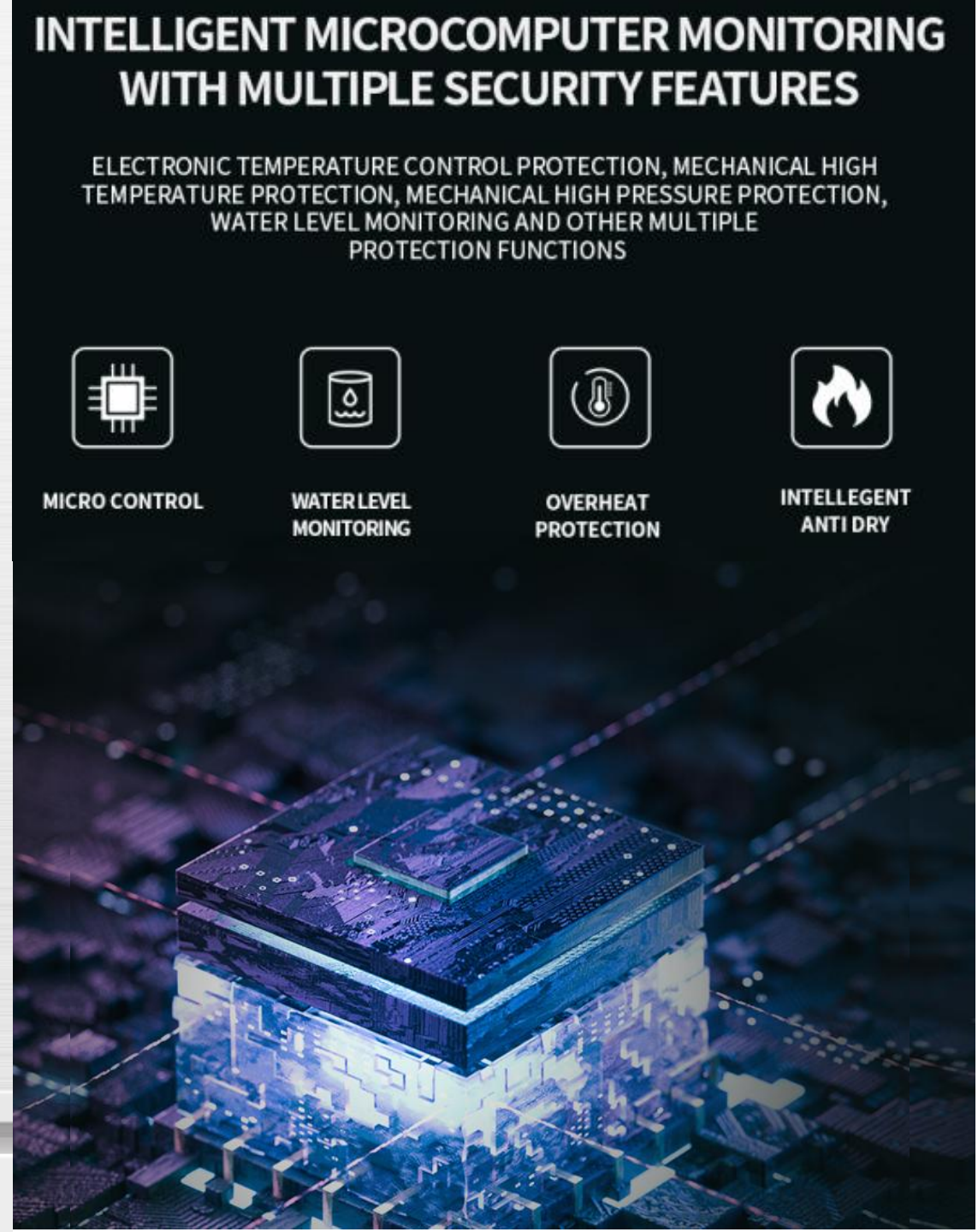
WATER LEVEL MONITORING



OVERHEAT PROTECTION



INTELLEGTANT ANTI DRY



Professional Rotary

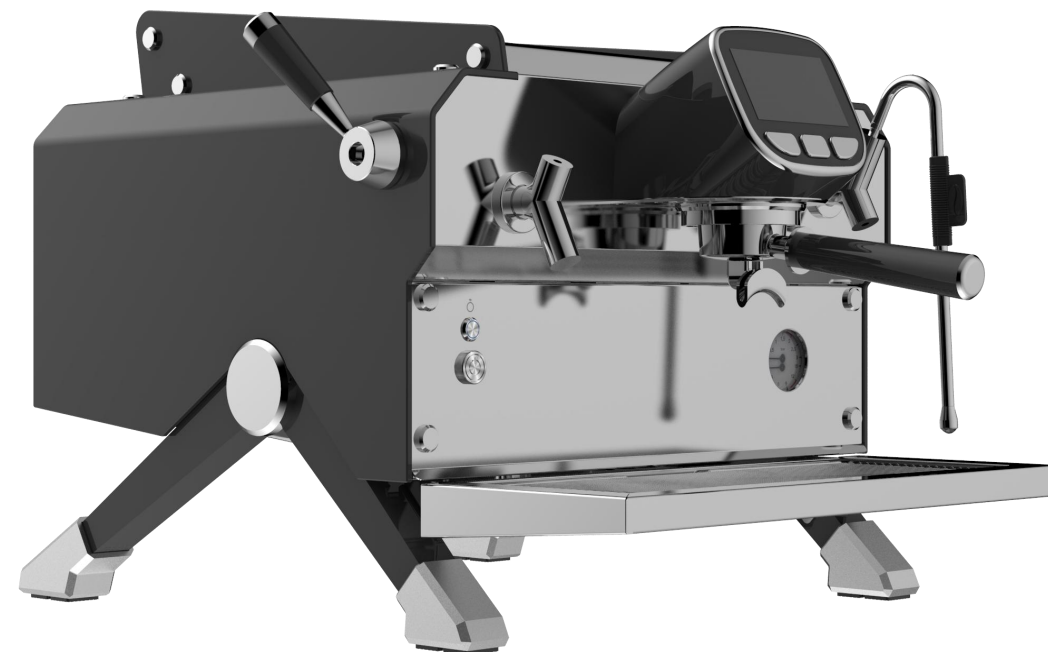
Pump

Suitable for a Variety of Water Conditions

- Provided constant water pressure with powerful water supply.
- External gallon water available with unlimited use scenarios.

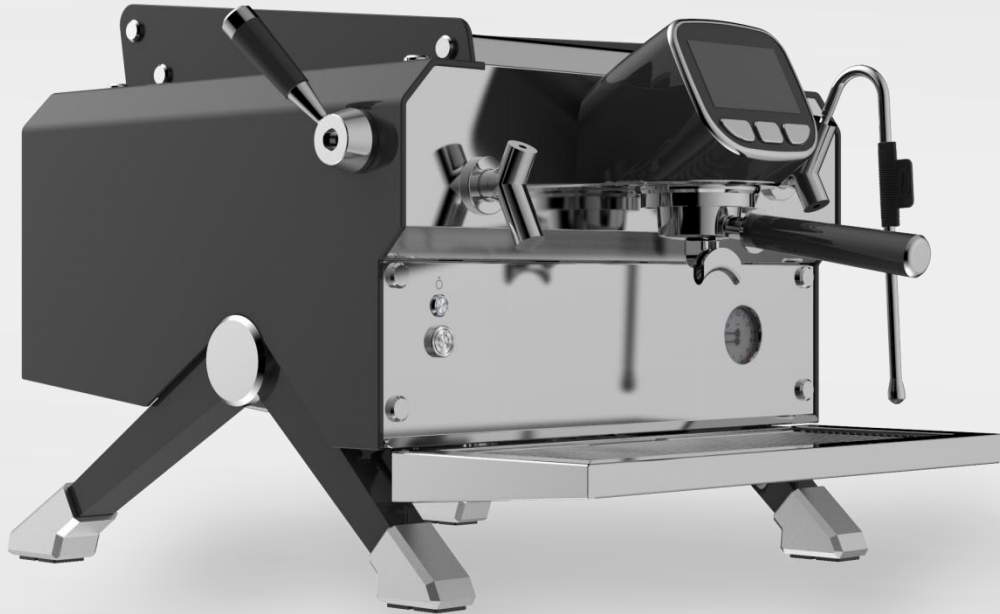


Suitable for
bottled water



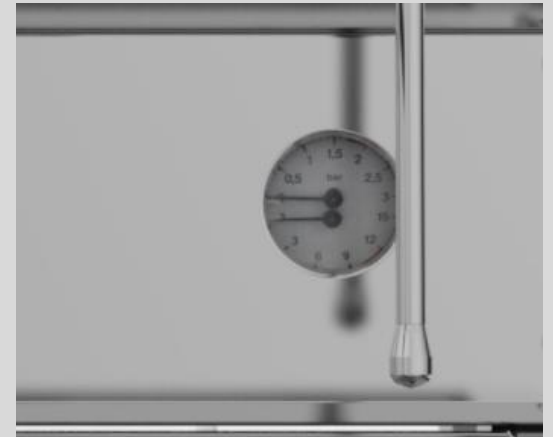
One-Click Boot

Automatically replenishes water and heats when turned on



2 in 1 Gauge Extraction/Steam Pressure Real-Time Display

Barista can know the status of the machine in real time and the standard production is guaranteed.

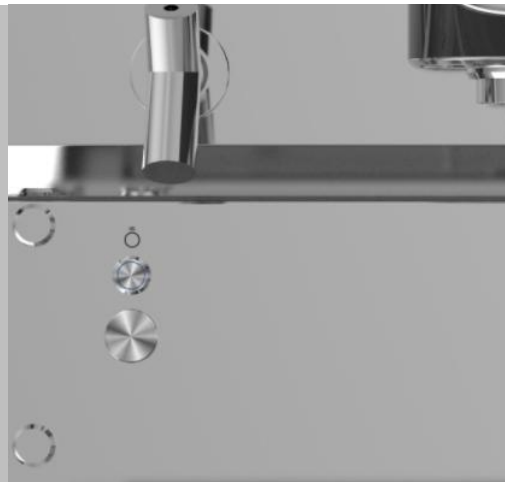


Extraordinary Details

Show Originality And Considerate Design Reveals Quality

Barista Light Button

Intimate assistance in
production observation



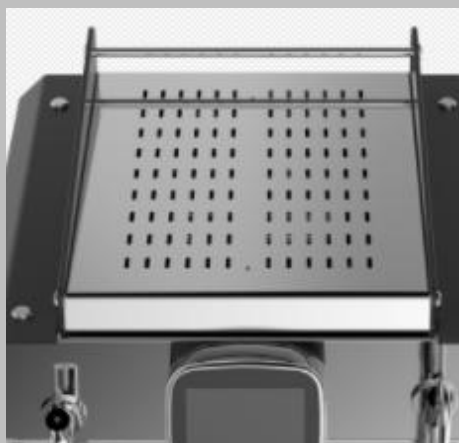
With Energy Saving Mode

Energy saving and
environmental protection



Topwarmcup Design

Preheat the coffee cup in
advance to retain
the full flavour of the coffee.



Mesh Drip Tray

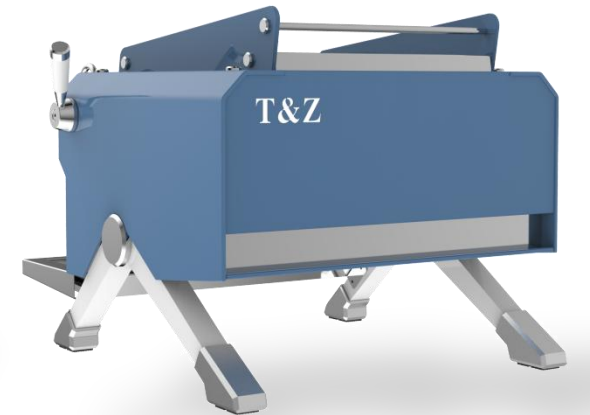
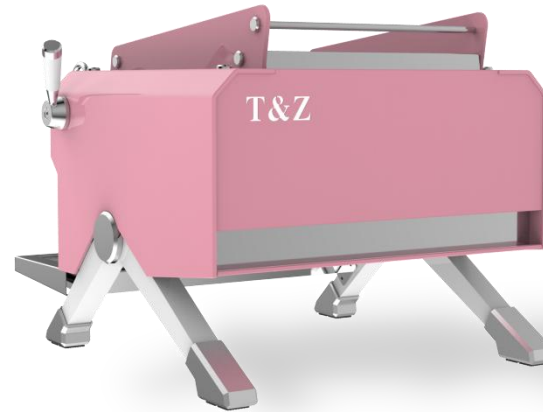
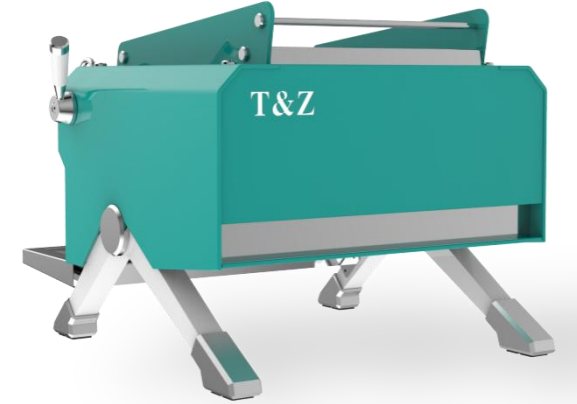
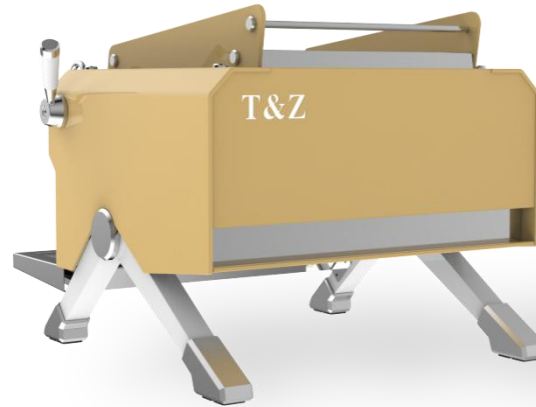
The water tray adopts a
mesh design.
Effectively reduce water
splashing.



T&Z[®]

Supports Multiple Customization

Body color customization, boiler color customization, Brand logo customization, etc. Satisfy your personality bar.



CERTIFICATION

Inherit the Classic And Ingenious Quality

T&Z[®]

Since 2009, it has won 10 patents accordingly.
Innovation and development, keep pace with the times.



Patent number:201621397911.3、201621397884.X、201621397885.4、
ZL201720454093.4、ZL201720454289.3、ZL201720454287.4、201821356624.7、
201822123402.7、201922166955.5、202021249730.2

Usage Scenarios

Suitable for a variety of business scenarios

Speciality cafe, internet celebrity coffee shop, business center and other service scenario professional extraction, meet all kinds of coffee drinks.



VARIOUS PRODUCT LINE IS
EASIER TO SATISFY DIFFERENT REQUIREMENTS.

T&Z[®]

BRAND STORY

Casting classic, enjoying future

T&Z (Prince) was founded in 2009 and is a high end coffee machine brand of Dazheng

The brand name of "Prince " originated from ancient dynasties, symbolizing dignity and in line with its quality excellent, well-designed, stylish.

T&Z (Prince) has a strong R&D and design team, using advanced technology, full of innovation.

The futuristic avant-garde style design makes its products popular in boutique cafes and Internet celebrities cafes, clubs and other service scenarios, and its professional teams provide complete packages service, aiming to build a leading brand of Chinese commercial semi-automatic coffee machines.



DAZHENG
COFFEE GROUP

COFFEE & TEA
THANKS!



SYSTEM SERVICE
PROVIDER

✉ sales@coffeedazheng.com ☎ +86 18011762132 🌐 www.coffeedazheng.com